

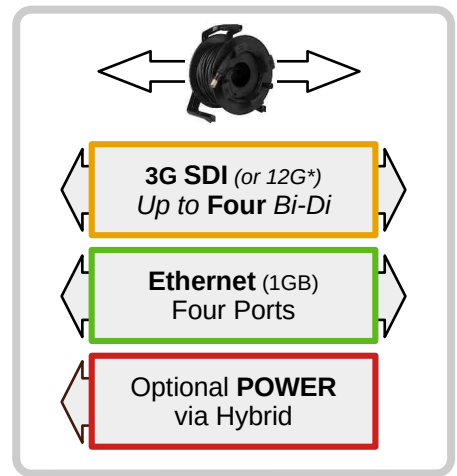
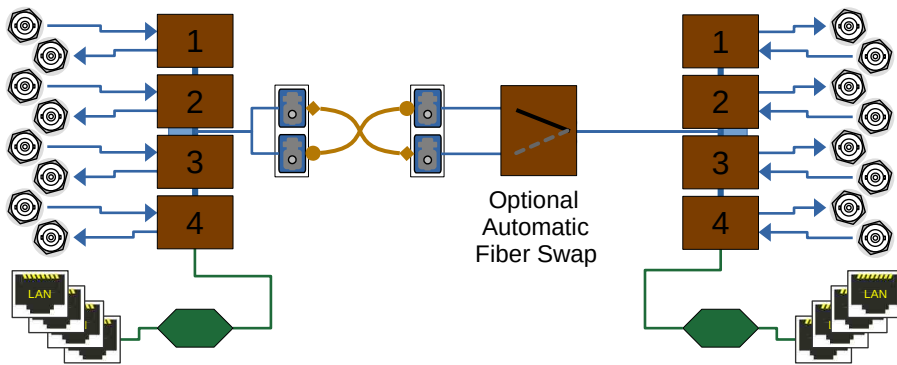
# CADDY-LT

## Hybrid / Fiber Link System

### CADDY-LT Multi SDI+LAN+POWER Hybrid Transceiver



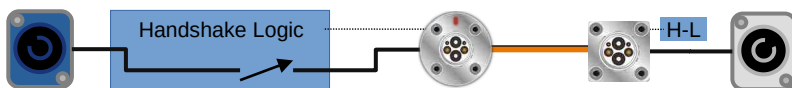
### Multi Bi-Directional SDI (3G or 12G) with Four Port 1GB Ethernet



Caddy-LT modules are locally powered via Powercon Connectors (Blue) (90-240 Vac)

**Power Option:** allow mains power to be carried to remote module via SMPTE cable.

Power is not inserted in the Hybrid Cable until remote unit is connected and correctly recognized.



### Connectors

**H – Hybrid Connectors:**  
 NH Neutrik DUO (Hybrid)  
 LH Lemo (Hybrid)

**F – Fiber Pair Connectors**  
 NF Neutrik DUO Lite (Fiber)  
 RF REM Rugged LC  
 LF Dual LC (Fiber)  
 BF Bulgin 6000  
 CF Custom(\*)



### CADDY Series Notes:

Furniture includes 2x Modules

All products are available in 3G or 12G SDI format

All products use singlemode fiber

**Power Option** carry main line power

**Fiber Swap** Option use a single fiber to carry all signals and allow automatic swap between the two fibers (Main-Redundant)

### CADDY Series Specifications:

**SDI In/Out:** 75 Ohm BNC [SMPTE 259M, 292M, 424M]+[(12x) ST-2082]

**Size:** 212 x 42 x 290 mm. 335 g (Full Option) Connectors excluded

**Ambient:** 5 - 40°C (41 - 104°F) 90% Humidity (non condensing)

**Max fiber length:** **HP:** 5 KM Max. (Load Dependent) **LT:** 5 Km.

### See PoP-VE for single SDI+LAN Fiber-Pair



3G or 12G